

BEAUTURAL

Travel Steam Iron



1byone Products Inc.
1230 E Belmont Street, Ontario, CA, USA 91761
Customer Service: +1 909-391-3888
www.1byonebros.com

Made in China

Instruction Manual

Introduction

Thank you for purchasing BEAUTURAL Travel Steam Iron. This instruction manual contains important information about safety, usage, and disposal. Use the product as described and keep this manual for future reference. If you sell this steamer or pass it on, also give this manual to the new owner.

Safety Instructions

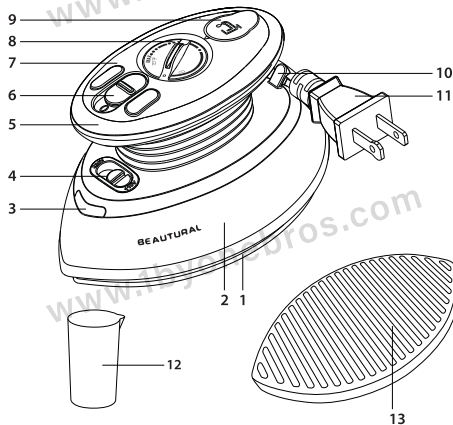
READ ALL INSTRUCTIONS BEFORE USE AND RETAIN FOR FUTURE REFERENCE

- This appliance is for light or occasional indoor/household use only. This iron is not intended for professional laundry services.
- The iron should always be turned to the minimum setting before plugging or unplugging from the outlet. Never yank the cord to disconnect from the outlet; instead grasp the plug and pull to disconnect.
- Always disconnect the iron from the electrical outlet when filling with water or emptying, and also when not in use.
- To protect against a risk of electric shock, do not operate this product with wet hands, spill liquid on the appliance or submerge it in water or any other liquid.
- This appliance is not intended for use by persons (including children) with reduced physical, sensory or mental capabilities, or lack of experience and knowledge, unless they have been given supervision or instruction concerning use of the appliance by a person responsible for their safety. Children should be closely supervised at all times to ensure that they do not play with the appliance.
- Please ensure the mains power supply is 220-240V ~ 50/60Hz, or 100-127V ~ 50/60Hz.
- Do not operate the iron if the power cord is damaged or if the iron has been dropped or damaged. To avoid a risk of electric shock, do not disassemble the iron. Take it to a qualified service person for examination and repair, or contact our customer service. Incorrect reassembly can cause a risk of electric shock when the iron is used.
- Never try to replace the parts or repair the appliance by yourself.

- Do not use an extension cord to operate this unit.
- To reduce likelihood of circuit overload, DO NOT operate another high wattage appliance on the same circuit as this unit.
- Do not place the appliance on or near a hot gas or on a heated oven.
- Do not let the power cable hang over the edge of a table or counter or touch a hot surface. Let the iron cool completely before putting away.
- Pay close attention to the iron whilst in use. The iron must not be left unattended while it is connected to the mains socket.
- Do not use any attachments which are not listed in this manual.
- Keep the hot soleplate away from body parts and heat sensitive objects.
- Keep the appliance well away from surfaces and objects that can be damaged by heat.
- Burns can occur from touching hot metal parts, hot water, or steam. Always hold the iron by the handle. Do not touch soleplate while unit is in use.
- Do not turn unit upside down - hot water may drip out from holes on Water Tank Windows.
- To reduce risk of contact with hot water emitting from steam vents, check appliance before each use by positioning it away from body and setting the steam On/Off Switch .
- Do not leave water in the water tank when iron is not in use - this can corrode and damage the soleplate.
- Ensure there is adequate space to operate the iron.
- When not ironing, place the iron down onto the Silicone Mat (Patterned side facing up), on a level heatproof surface.
- Use this iron only with a purpose-built ironing board.
- Observe all of the ironing instructions and ironing temperature dot settings given by the garment manufacturer. These guidelines are normally on the label/s inside the garment.
- Always ensure the water filling does not exceed the MAX mark on water inlet.
- Do not iron buttons or fasteners. This could damage the iron.

- Do not iron directly onto synthetic fabric - instead iron the fabric inside out or with the synthetic fabric covered by other material to protect it.

Product Description



Unit Features

1. Soleplate	2. Body	3. Heating Indicator Light
4. Voltage Selector	5. Handle	6. Steam On/Off Switch
7. Water Tank	8. Temperature Control Dial	9. Water-Inlet Cap
10. Cable Clip	11. Power Cable	

Accessories

12. Measuring Cup	13. Silicone Mat
-------------------	------------------

How to Use

Setting Voltage

The BEAUTURAL Travel Steam Iron features dual-voltage functionality, which allows it to function correctly in regions with either 100-127V or 220-240V electrical voltage standards. Voltage is set using the Voltage Selector.

For use in Canada or North America, the voltage selector switch should be placed in the 110V position. For use in most foreign countries, the selector switch must be placed in the 230V position. CONFIRM the voltage available at each location before using the iron.

NOTE: For connection to a 230 volt supply an adaptor plug may be needed.

IMPORTANT: By default, the Voltage Selector is set to the 100-127V setting. Be sure to select the correct voltage for your location before plugging power cord into an electrical outlet.

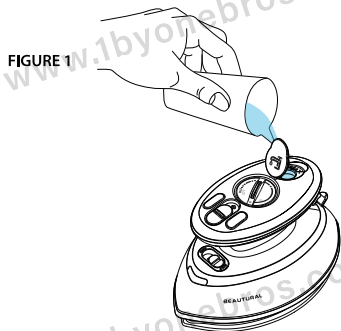
Filling Water Tank

Only fill the iron with water if you intend to use the steam function. For dry ironing, you do not need to fill the tank with water.

1. Unplug the unit and make sure the Steam ON/OFF Switch is off (set the switch to display "0" as shown in FIGURE 4B).
2. Place unit (Soleplate down) on a flat, heat-resistant surface.
3. Fill Measuring Cup with water.

NOTE: In order to extend the life of your unit and keep it functioning at it's maximum potential, it is highly recommended that distilled or de-mineralized water be used in Water Tank. Avoid using water containing softeners, perfumes or additives.

- Open the water inlet cap and slowly pour the water from the measuring cup into the water tank (FIGURE 1). Close the cap.



Operating Unit

Dry Ironing

IMPORTANT: Make sure the Steam ON/OFF Switch is off (set the switch to display "0" as shown in FIGURE 4B) before dry ironing. This will prevent any water from accidentally dripping.

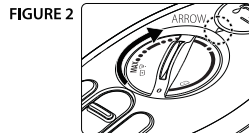
- Plug power cord into a convenient electrical outlet.
- Place the Silicone Mat in an easy-to-reach place with the patterned side facing up.
- Sort out the garments according to their ironing temperatures.

•	Synthetics, silk	(low temperature)
••	Wool	(medium temperature)
•••	Cotton, linen	(high temperature)

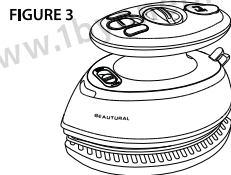
Steam ironing is only possible with the temperature control dial set to MAX position.

NOTE: It is recommended to start with lower temperatures first, as high settings designed for heavy materials can damage delicate fabrics.

- Turn Temperature Control Dial clockwise so that small arrow "▲" on Handle (FIGURE 2) points to one of three heat settings on Dial. Heating Indicator Light will illuminate.



- When Heating Indicator Light goes off, the iron is heated and ready for use.
- If you need to put down the iron to handle the fabric during use, place the iron on the Silicone Mat (Patterned side facing up).



NOTE: During use, Heating Indicator Light will cycle on and off as unit works to maintain a constant temperature. You may continue to iron while Light cycles.

Steam Ironing

- Plug power cord into a convenient electrical outlet.
- Turn Temperature Control Dial clockwise to MAX position to choose MAX temperature. Heating Indicator Light will illuminate.

3. Wait until Heating Indicator Light turns off, and set the Steam ON/OFF Switch to display "☁" (FIGURE 4A). Hold the iron horizontally for a few seconds and unit will begin emitting steam from steam vents on soleplate.

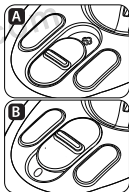


FIGURE 4

NOTE: Unit is designed to steam horizontally. Steam flow will stop whenever unit is in vertical upright position.

4. To stop steam flow, slide the Steam ON/OFF Switch to display "0" (FIGURE 4B).

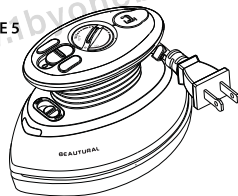
Once all ironing tasks are finished, immediately **slide the Steam ON/OFF Switch to display "0"** (FIGURE 4B), turn Temperature Control Dial counter-clockwise to minimum setting. This will prevent water from accidentally dripping during next use.

Cleaning and Storage

1. Turn Temperature Control Dial counter-clockwise to "0" position. Unplug the power cord.
2. Place the iron on the Silicone Mat (Patterned side facing up) and leave it to cool for 30 minutes.
3. Open Water Inlet Cap and drain any remaining water into a sink or tub. Close Cap when finished.
4. Wipe Main Body and Soleplate with a soft cloth lightly moistened with water.
 - **DO NOT clean Soleplate with detergents or descalers.**
 - **DO NOT clean Soleplate with abrasive or corrosive products.**
 - **DO NOT submerge unit or hold unit under running water.**

5. Wrap power cord around base of Handle and secure end in Cable Clip (FIGURE 5). Place the silicone pad over the soleplate, then put the device and measuring cup in a cool, dry place.

FIGURE 5



Mineral Build-up

1. Follow STEPS 1-3 under CLEANING & STORAGE section above; however, leave Water Tank Cap open.
2. Make a mixture of 0.5 oz. distilled water and 0.5 oz. vinegar.
3. Using included Measuring Cup, pour water-vinegar solution into Water Tank. Close Water Tank Cap.
4. Follow normal steam ironing procedure. Allow unit to steam out full contents of Water Tank. When finished, lock Steam Button in lowered position and unplug unit.
5. Allow to cool for 5 minutes, then refill Water Tank with fresh distilled water. Repeat STEP 4 until vinegar odor dissipates.
6. Store unit as normal.

Specifications

Model: 1-MR08US04, Y-870

Rated Voltage: 100-127V/220-240V

Rated Power: 301-499W/343-408W

Water Capacity: 1.4fl oz(40ml)

NOTE: Design and specifications are subject to change without notice.



This product's packaging is made from environmentally friendly material and can be disposed of at your local recycling plant.

Customer Service

UNITED STATES	Phone: +1 909-391-3888 (Mon-Fri 9:00am - 5:00pm PST) Email: ushelp@1byonebros.com
CANADA	Email: cahelp@1byonebros.com
UNITED KINGDOM	Email: ukhelp@1byonebros.com
GERMANY/FRANCE ITALY/SPAIN	Email: euhelp@1byonebros.com

BRAND OWNER

1byone Products Inc.

1230 E Belmont Street, Ontario, CA, USA 91761

Customer Service: +1 909-391-3888

www.1byonebros.com